

# HEATHFIELD & CO

## PRODUCT SPECIFICATION SHEET

### Wall Light | VITO MEDIUM DARK BRONZE

#### WALL LIGHT

Material: Metal  
Finish shown: Dark Bronze  
Code: WL-VITO-DBNZ-0000-MED

#### SWITCHING & PLUG

Hardwired

#### WEIGHT

0.9 kg approx.

#### LAMPING

1 x Warm White LED Strip - 5W w/ acrylic diffuser

#### FIXING NOTE

It is the buyer's responsibility to ensure that suitable fixings are used.

#### WARRANTY

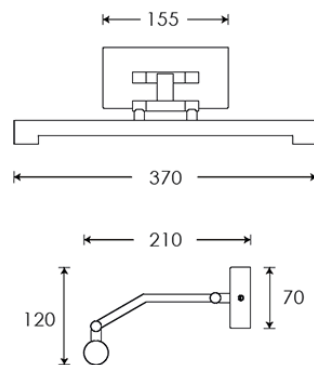
12 Months

#### FINISHING NOTE

All metalwork is handcrafted and may vary from piece to piece with slight variation in finish and detailing.

#### CLEANING INSTRUCTIONS

The finishes on this luminaire only require regular cleaning with a soft dry duster. Abrasive or chemical cleaners may harm the finish and should not be used. Shade to be dusted with a clean dry cloth.



Dimensions in mm and approximate  
*This product is adjustable*



SINCE 1977

Tel +44 (0) 1732 350450 Email [sales@heathfield.co.uk](mailto:sales@heathfield.co.uk)  
Heathfield & Co, Unit 1, Priory Road, Tonbridge, Kent, TN9 2AF United Kingdom

This specification is subject to our Standard Terms and Conditions, a copy of which can be found at [www.heathfield.co.uk](http://www.heathfield.co.uk)  
© 2018 Heathfield & Co. All rights reserved.